

# METACRYLICS

## SILICONE RESTORATION ROOF COATING SYSTEM DETAILS

SILICONE  
COATING  
SYSTEM

SEAL:

### DRAWING INDEX:

- C-01 - COVER PAGE & DRAWING INDEX SHEET
- A-01 - BUR CAPSHEET
- A-02 - BRAI TORCHDOWN
- A-03 - TPO
- A-04 - METAL- CORRUGATED, STANDING SEAM, R-PANEL
- A-05 - EPDM
- A-06 - TAR AND GRAVEL
- A-07 - TAR AND GRAVEL REINFORCED ACRYLIC SYSTEM  
WITH SILICONE TOP COATS
- A-08 - FOAM
- A-09 - CONCRETE
- A-10- RE-COAT OVER SILICONE COATED SURFACE

REV:

JOB NUMBER:

SCALE:

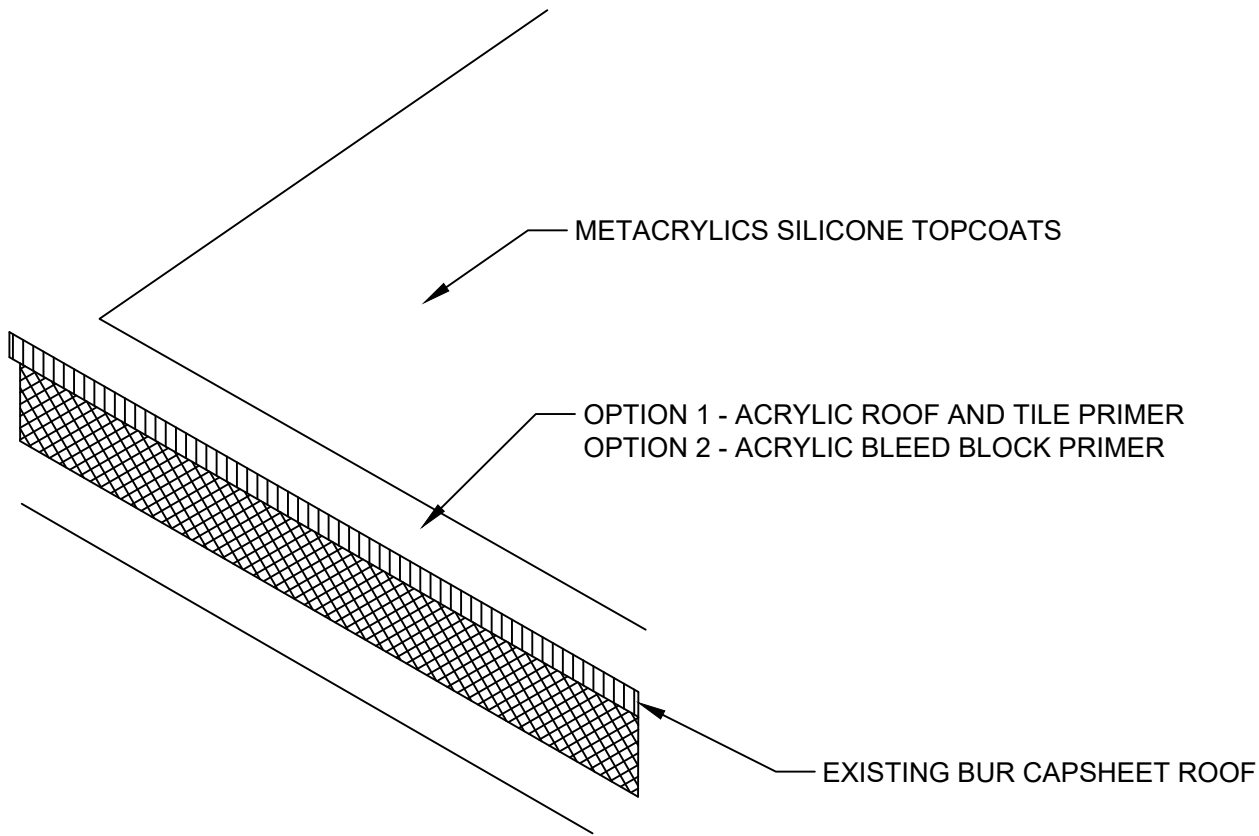
DATE: 09-25-17

DRAWN BY:  
DHALSELL

CHECKED BY:

SHEET:

C-01



**SILICONE  
COATING  
SYSTEM**

SEAL:

REV:

JOB NUMBER:

SCALE:

DATE: 09-25-17

DRAWN BY: DHALSELL

CHECKED BY:

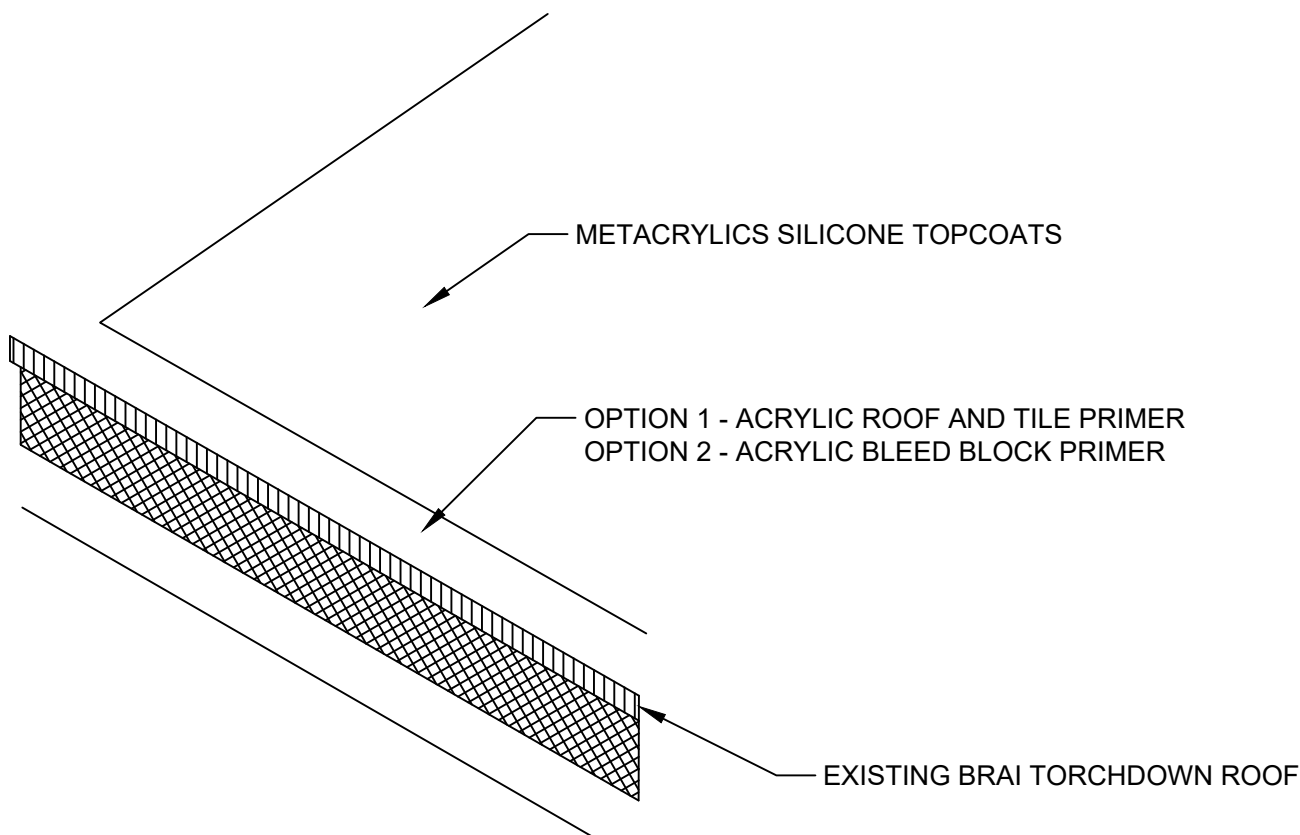
SHEET:

**A-01**

**BUR CAPSHEET SILICONE  
RESTORATION COATING SYSTEM**

**NOTES:**

1. FIELD SEAMS SHOULD BE SEALED AND REINFORCED BY EITHER APPLYING SILICONE GEL OVER THE SEAM OR 3-COURSE WITH SILICONE AND POLYESTER FABRIC.
2. ALL ROOF TOP PENETRATIONS, DRAINS, SCUPPERS, FLASHINGS, SKYLIGHTS, & PARAMETER EDGE FLASHING ARE REQUIRED TO BE SEALED OR REINFORCED BY APPLYING SILICONE GEL OR 3-COURSE WITH SILICONE & POLYESTER FABRIC.
3. METACRYLICS ACRYLIC BLEED BLOCK PRIMER PREVENTS THE ASPHALT OILS FROM BLEEDING THROUGH THE SILICONE AND DISCOLORING IT.



**SILICONE  
COATING  
SYSTEM**

SEAL:

REV:

JOB NUMBER:

SCALE:

DATE: 09-25-17

DRAWN BY: DHALSELL

CHECKED BY:

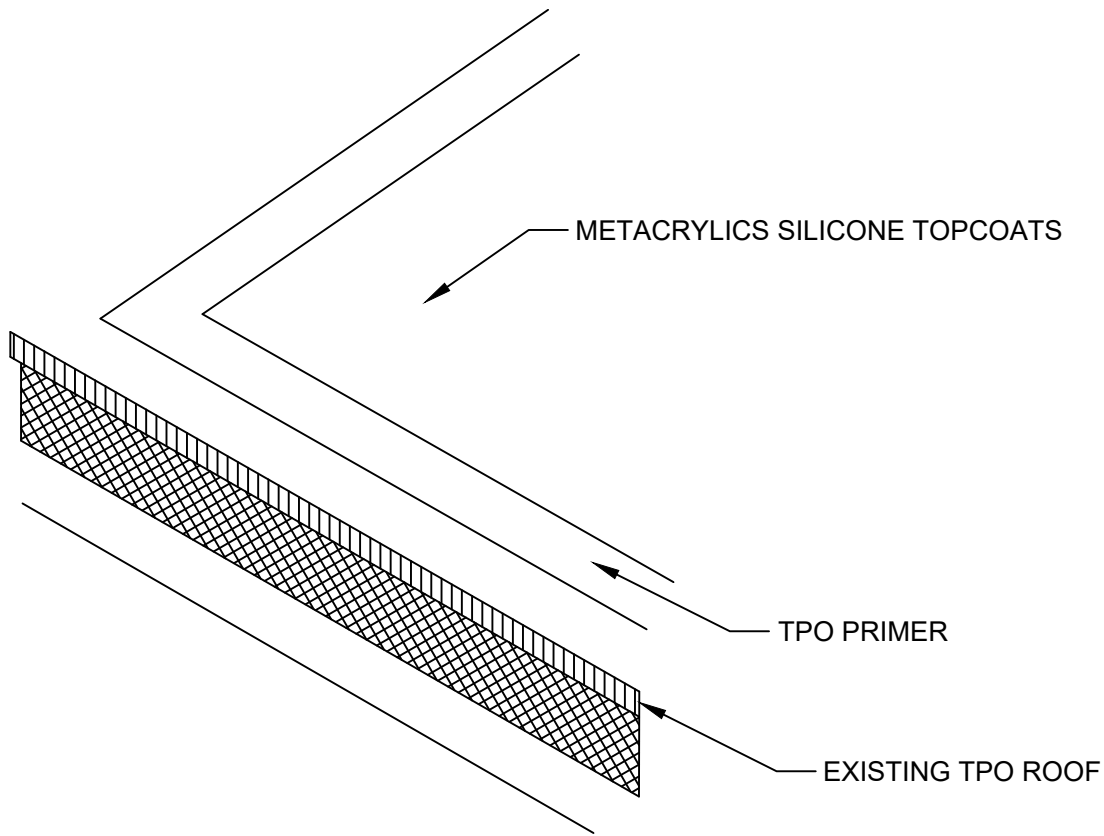
SHEET:

A-02

**BRAI TORCHDOWN SILICONE RESTORATION  
COATING SYSTEM**

**NOTES:**

1. FIELD SEAMS SHOULD BE SEALED AND REINFORCED BY EITHER APPLYING SILICONE GEL OVER THE SEAM OR 3-COURSING THE SEAM WITH SILICONE AND POLYESTER FABRIC.
2. ALL ROOF TOP PENETRATIONS, DRAINS, SCUPPERS, FLASHINGS, SKYLIGHTS, & PARAMETER EDGE FLASHING ARE REQUIRED TO BE SEALED OR REINFORCED BY APPLYING SILICONE GEL OR 3-COURSE WITH SILICONE & POLYESTER FABRIC.
3. METACRYLICS ACRYLIC BLEED BLOCK PRIMER PREVENTS THE ASPHALT OILS FROM BLEEDING THROUGH THE SILICONE AND DISCOLORING IT.



**SILICONE  
COATING  
SYSTEM**

**TPO SILICONE RESTORATION  
COATING SYSTEM**

SEAL:

REV:

JOB NUMBER:

SCALE:

DATE: 09-25-17

DRAWN BY:  
DHALSELL

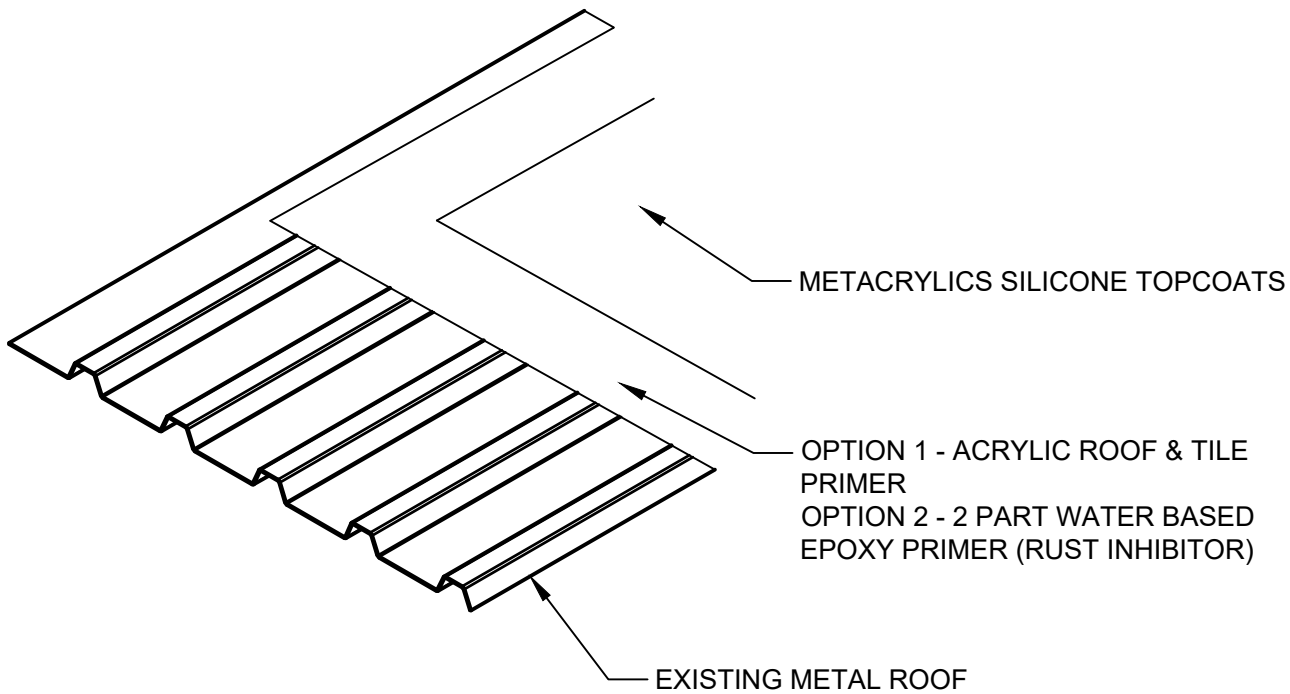
CHECKED BY:

SHEET:

**A-03**

**NOTES:**

1. FIELD SEAMS SHOULD BE SEALED AND REINFORCED BY EITHER APPLYING SILICONE GEL OVER THE SEAM OR 3-COURSING THE SEAM WITH SILICONE AND POLYESTER FABRIC.
2. ALL ROOF TOP PENETRATIONS, DRAINS, SCUPPERS, FLASHINGS, SKYLIGHTS, & PARAMETER EDGE FLASHING ARE REQUIRED TO BE SEALED OR REINFORCED BY APPLYING SILICONE GEL OR 3-COURSE WITH SILICONE & POLYESTER FABRIC.



**SILICONE  
COATING  
SYSTEM**

**METAL SILICONE RESTORATION  
COATING SYSTEM**

SEAL:

REV:

JOB NUMBER:

SCALE:

DATE: 09-25-17

DRAWN BY: DHALSELL

CHECKED BY:

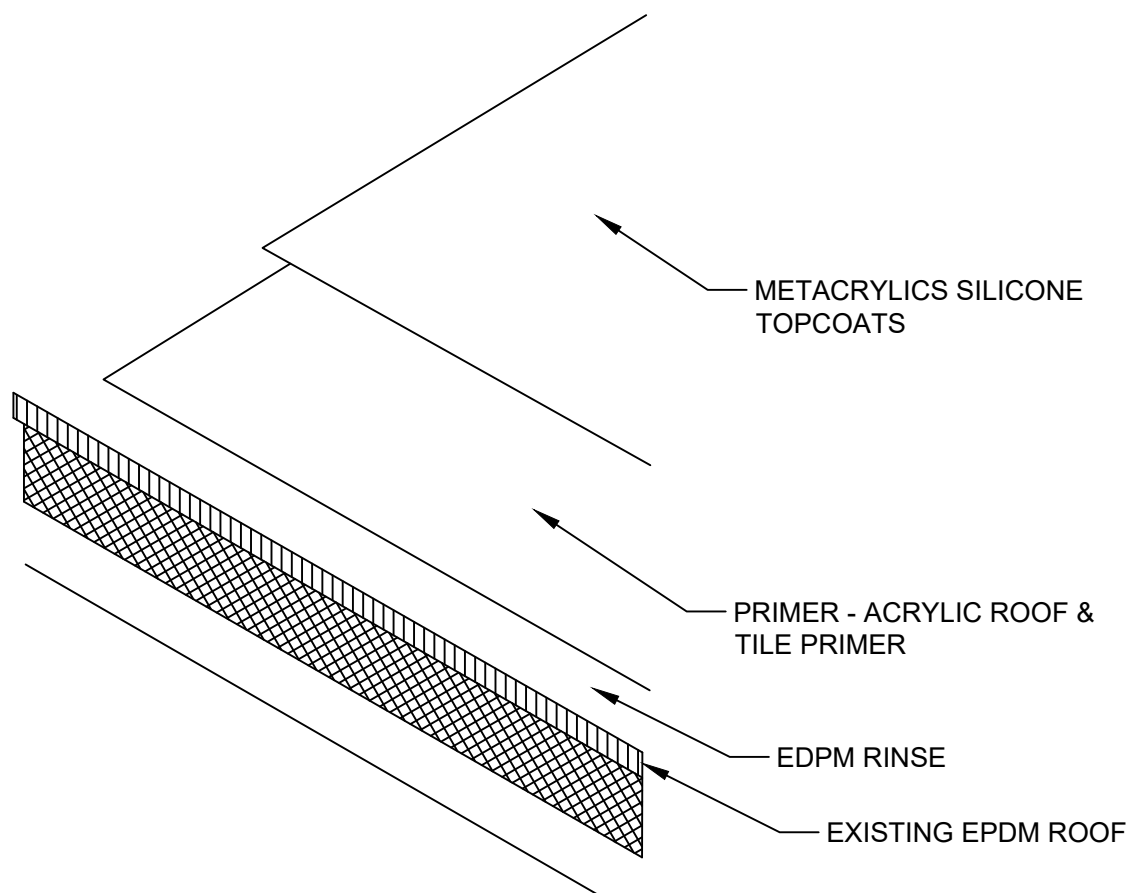
SHEET:

**A-04**

**NOTES:**

1. SILICONE SURFACES ARE VERY SLIPPERY WHEN WET. ADDING NON-SLIP SURFACING TO HIGH FOOT TRAFFIC AREAS IS RECOMMENDED FOR SLOPED SURFACES.
2. FIELD SEAMS SHOULD BE SEALED AND REINFORCED BY EITHER APPLYING SILICONE GEL OVER THE SEAM OR 3-COURSING THE SEAM WITH SILICONE AND POLYESTER FABRIC.
3. ALL ROOF TOP PENETRATIONS, DRAINS, SCUPPERS, FLASHINGS, SKYLIGHTS, & PARAMETER EDGE FLASHING ARE REQUIRED TO BE SEALED OR REINFORCED BY APPLYING SILICONE GEL OR 3-COURSE WITH SILICONE & POLYESTER FABRIC.

**SILICONE  
COATING  
SYSTEM**



**EPDM SILICONE RESTORATION  
COATING SYSTEM**

SEAL:

REV:

JOB NUMBER:

SCALE:

DATE: 09-25-17

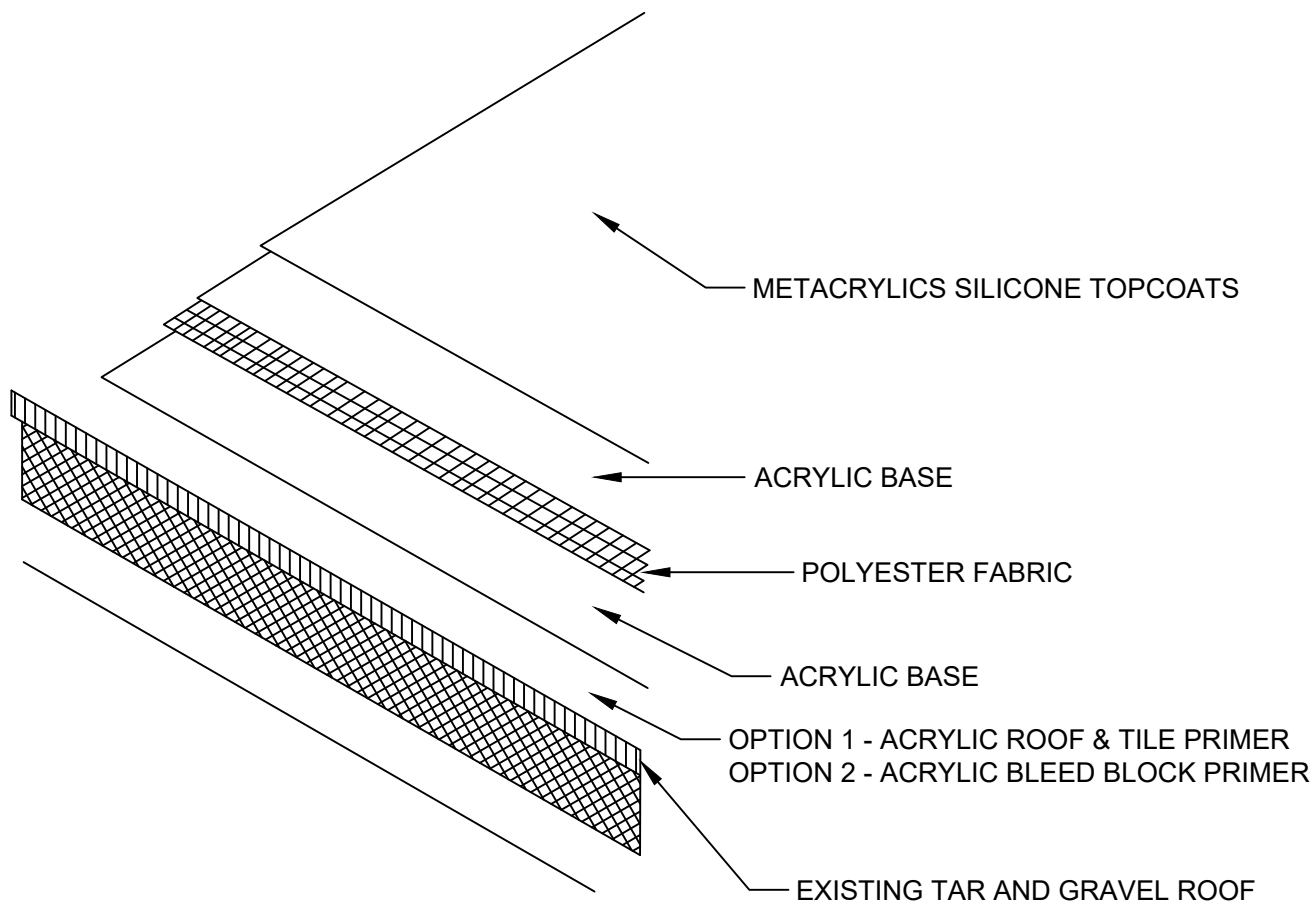
DRAWN BY:  
DHALSELL

CHECKED BY:

SHEET:  
**A-05**

**NOTES:**

1. FIELD SEAMS SHOULD BE SEALED AND REINFORCED BY EITHER APPLYING SILICONE GEL OVER THE SEAM OR 3-COURSING THE SEAM WITH SILICONE AND POLYESTER FABRIC.
2. ALL ROOF TOP PENETRATIONS, DRAINS, SCUPPERS, FLASHINGS, SKYLIGHTS, & PARAMETER EDGE FLASHING ARE REQUIRED TO BE SEALED OR REINFORCED BY APPLYING SILICONE GEL OR 3-COURSE WITH SILICONE & POLYESTER FABRIC.



**ACRYLIC & SILICONE HYBRID SYSTEM**

**TAR & GRAVEL REINFORCED ACRYLIC SYSTEM WITH SILICONE TOP COATS**

**NOTES:**

1. AFTER THIS SILICONE RESTORATION SYSTEM IS APPLIED AND COMPLETE, THE ROOF SURFACE WILL NOT BE SMOOTH. THE FINISHED LOOK OF THIS INSTALLATION WILL BE BUMPY FROM THE REMAINING AGGREGATE EMBEDDED INTO THE EXISTING TAR SURFACE.
2. ALL ROOF TOP PENETRATIONS, DRAINS, SCUPPERS, FLASHINGS, SKYLIGHTS, & PARAMETER EDGE FLASHING ARE REQUIRED TO BE SEALED OR REINFORCED BY APPLYING SILICONE GEL OR 3-COURSE WITH SILICONE & POLYESTER FABRIC

SEAL:

REV:

JOB NUMBER:

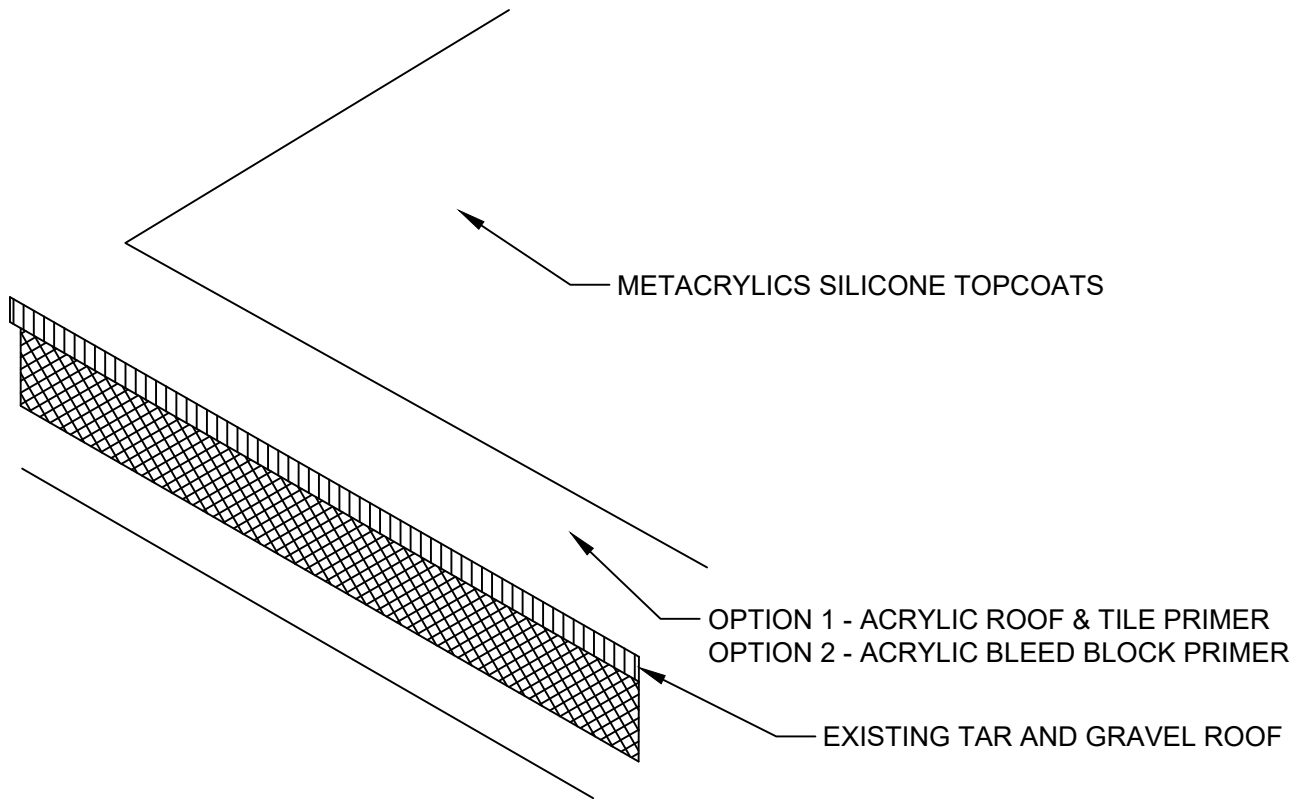
SCALE:

DATE: 09-25-17

DRAWN BY: DHALSELL

CHECKED BY:

SHEET: A-06



**SILICONE COATING SYSTEM**

SEAL:

REV:

JOB NUMBER:

SCALE:

DATE: 09-25-17

DRAWN BY: DHALSELL

CHECKED BY:

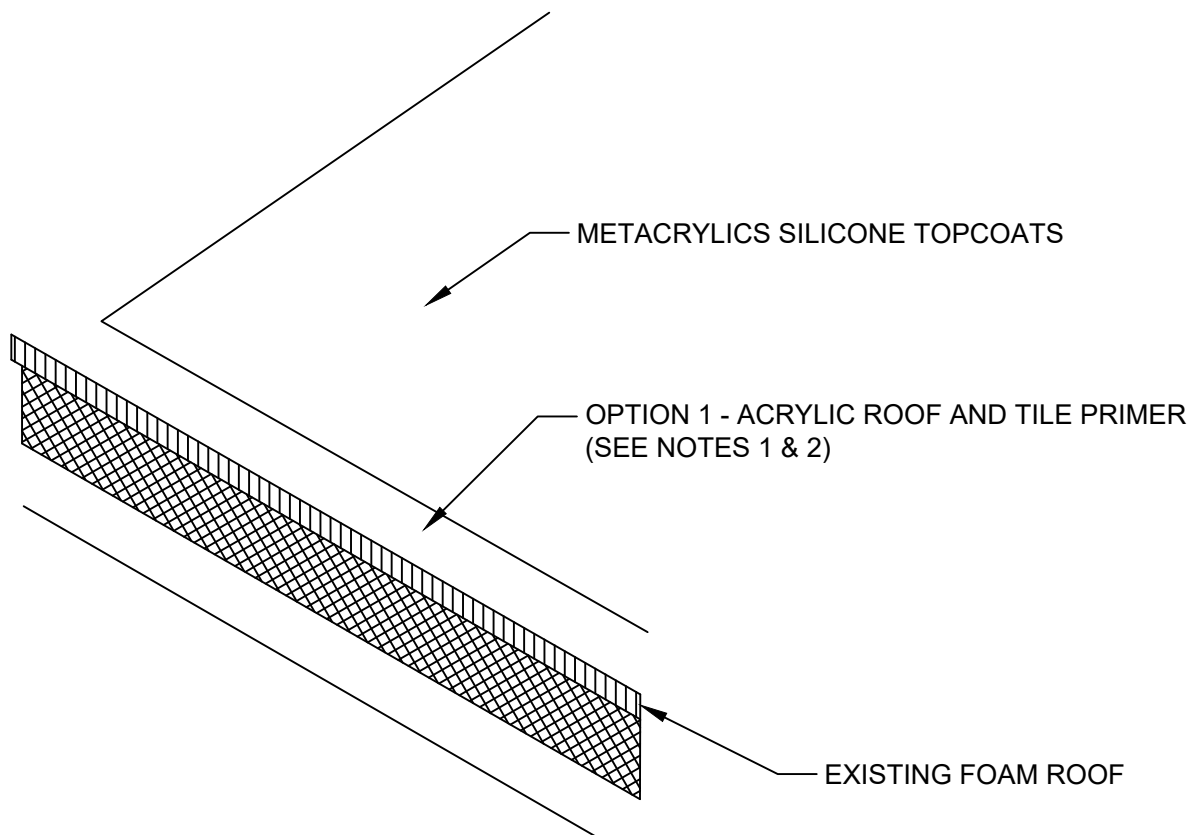
SHEET: A-07

**TAR AND GRAVEL SILICONE RESTORATION COATING SYSTEM**

**NOTES:**

1. AFTER THIS SILICONE RESTORATION SYSTEM IS APPLIED AND COMPLETE, THE ROOF SURFACE WILL NOT BE SMOOTH. THE FINISHED LOOK OF THIS INSTALLATION WILL BE BUMPY FROM THE REMAINING AGGREGATE EMBEDDED INTO THE EXISTING TAR SURFACE.
2. ALL ROOF TOP PENETRATIONS, DRAINS, SCUPPERS, FLASHINGS, SKYLIGHTS, & PARAMETER EDGE FLASHING ARE REQUIRED TO BE SEALED OR REINFORCED BY APPLYING SILICONE GEL OR 3-COURSE WITH SILICONE & POLYESTER FABRIC.





SILICONE COATING SYSTEM

FOAM SILICONE RESTORATION COATING SYSTEM

SEAL:

REV:

JOB NUMBER:

SCALE:

DATE: 09-25-17

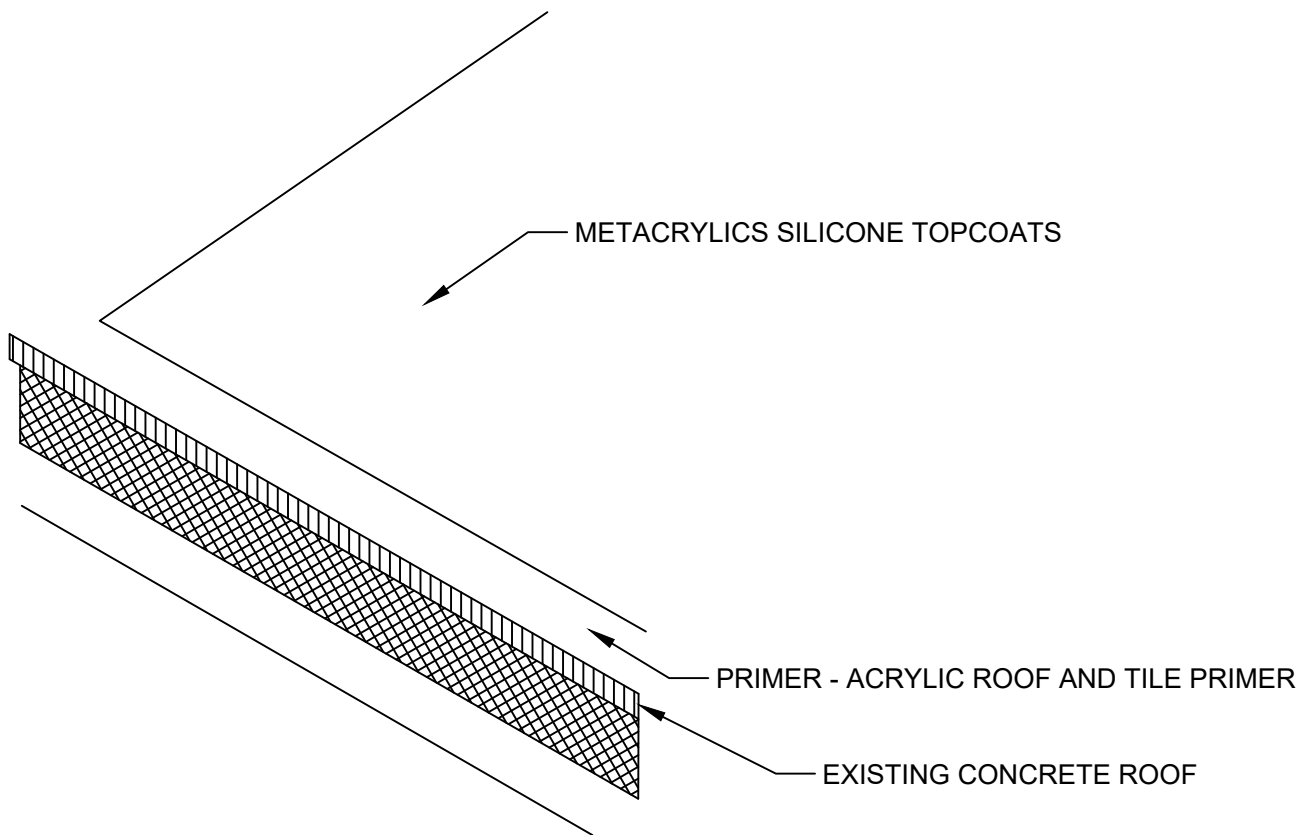
DRAWN BY: DHALSELL

CHECKED BY:

SHEET: A-08

**NOTES:**

1. IF THE EXISTING FOAM ROOF HAS AN EXISTING SILICONE COATING NO PRIMER SHOULD BE APPLIED AS NO PRIMERS WILL ADHERE TO A SILICONE SURFACE.
2. IF THE EXISTING FOAM ROOF HAS AN EXISTING ACRYLIC COATING, PRIMER SHOULD BE APPLIED.
3. ALL ROOF TOP PENETRATIONS, DRAINS, SCUPPERS, FLASHINGS, SKYLIGHTS, & PARAMETER EDGE FLASHING ARE REQUIRED TO BE SEALED OR REINFORCED BY APPLYING SILICONE GEL OR 3-COURSE WITH SILICONE & POLYESTER FABRIC.



**SILICONE  
COATING  
SYSTEM**

**CONCRETE SILICONE RESTORATION  
COATING SYSTEM**

SEAL:

REV:

JOB NUMBER:

SCALE:

DATE: 09-25-17

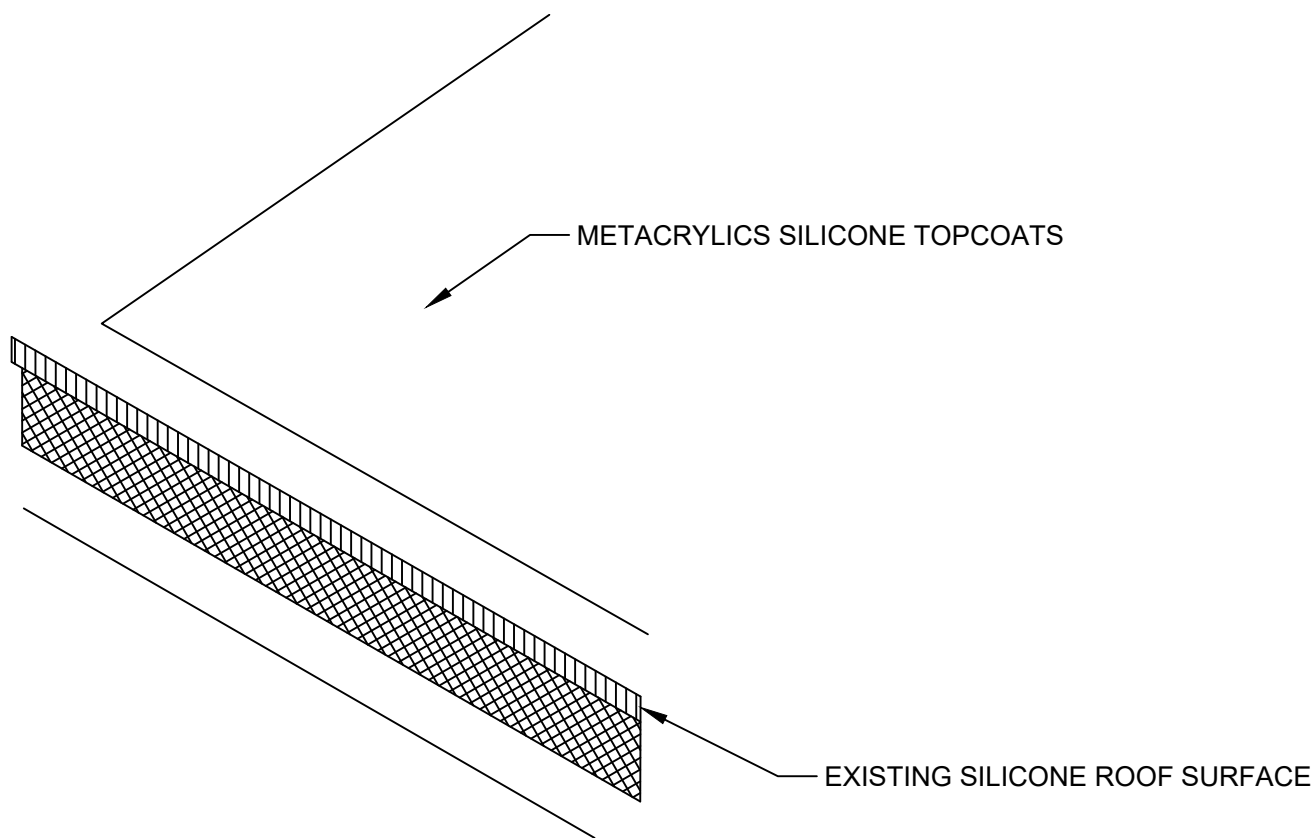
DRAWN BY: DHALSELL

CHECKED BY:

SHEET:  
**A-09**

**NOTES:**

1. SPECIALTY PRIMERS WOULD BE REQUIRED IF EXISTING SURFACE REQUIRES SPECIAL TREATMENTS. FOR EXAMPLE, EFFERVESCENCE BLOCKER.
2. EXPANSION JOINTS AND HORIZONTAL/VERTICAL TRANSITIONS SHOULD BE SEALED AND REINFORCED BY EITHER APPLYING SILICONE GEL OR 3-COURSING THE EXPANSION JOINT OR TRANSITION WITH SILICONE AND POLYESTER FABRIC.
3. ALL ROOF TOP PENETRATIONS, DRAINS, SCUPPERS, FLASHINGS, SKYLIGHTS, & PARAMETER EDGE FLASHING ARE REQUIRED TO BE SEALED OR REINFORCED BY APPLYING SILICONE GEL OR 3-COURSE WITH SILICONE & POLYESTER FABRIC.



**SILICONE  
COATING  
SYSTEM**

SEAL:

REV:

JOB NUMBER:

SCALE:

DATE: 09-25-17

DRAWN BY: DHALSELL

CHECKED BY:

SHEET:

**A-10**

**RE-COAT EXISTING SILICONE  
COATED SURFACE**

**NOTES:**

1. NO PRIMER IS REQUIRED OVER AN EXISTING SILICONE SURFACE SINCE THERE ARE NO PRIMERS CURRENTLY THAT ADHERE TO SILICONE.
2. IT IS CRITICAL TO GET THE EXISTING SILICONE SURFACE AS CLEAN AS POSSIBLE TO ENSURE PROPER ADHESION OF NEW SILICONE APPLICATIONS.
3. IT IS RECOMMENDED TO PERFORM A PULL TEST BEFORE APPLYING SILICONE APPLICATIONS TO AN UNKNOWN SILICONE SURFACE TO ENSURE ADEQUATE ADHESION EXISTS BETWEEN THE TWO SILICONE PRODUCTS. NOT ALL SILICONE COATINGS ADHERE WELL TO ONE ANOTHER.