

METACRYLICS

ACRYLIC FULL FABRIC REINFORCED SYSTEM ROOF DETAILS

ACRYLIC
REINFORCED
SYSTEMS

SEAL:

DRAWING INDEX:

- C-01 - COVER PAGE & DRAWING INDEX SHEET
- A-01 - BUR CAPSHEET
- A-02 - BRAI TORCHDOWN
- A-03 - TPO
- A-04 - METAL- CORRUGATED, STANDING SEAM, R-PANEL
- A-05 - EPDM
- A-06 - TAR AND GRAVEL
- A-07 - FOAM
- A-08 - CONCRETE

REV:

JOB NUMBER:

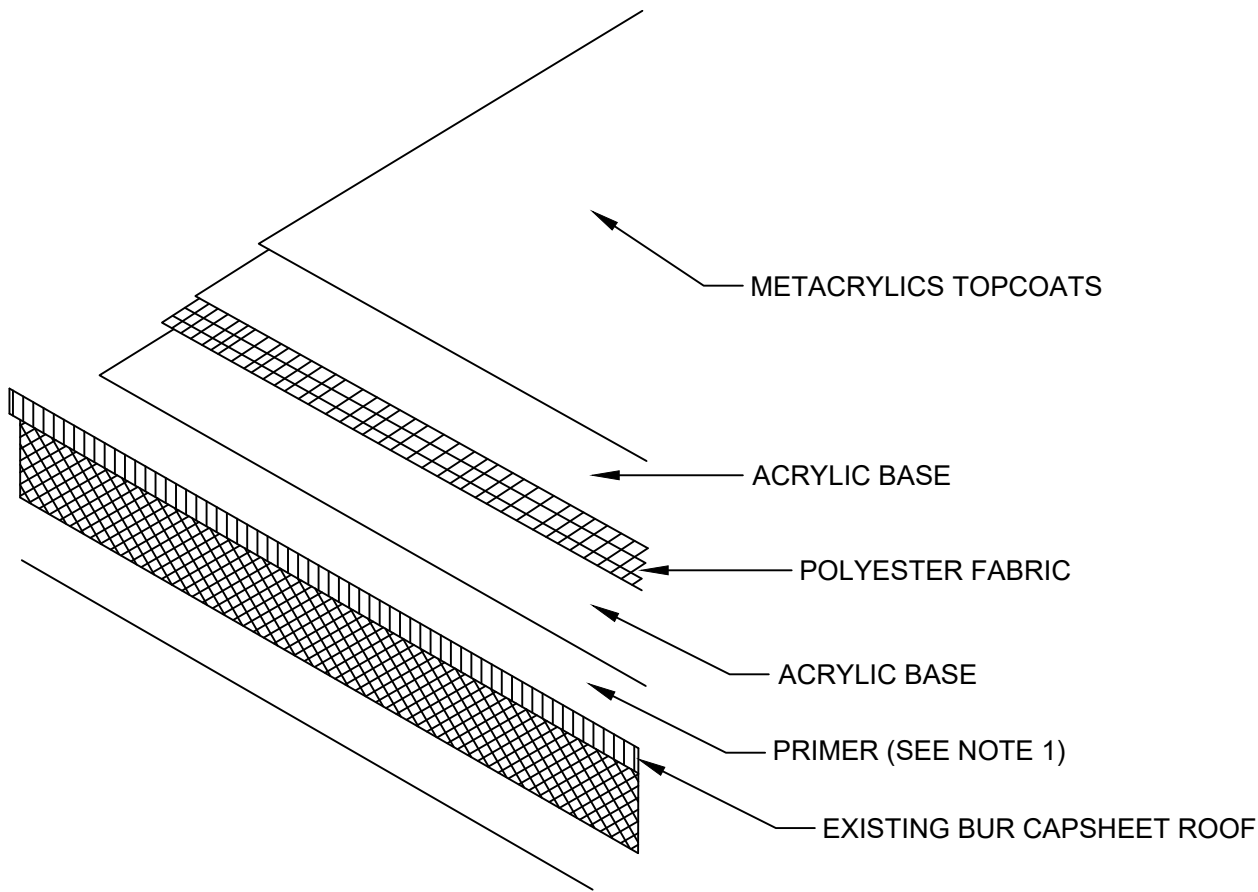
SCALE:

DATE: 09-25-17

DRAWN BY:
DHALSELL

CHECKED BY:

SHEET:
C-01



**ACRYLIC
REINFORCED
SYSTEMS**

SEAL:

REV:

JOB NUMBER:

SCALE:

DATE: 09-25-17

DRAWN BY:
DHALSELL

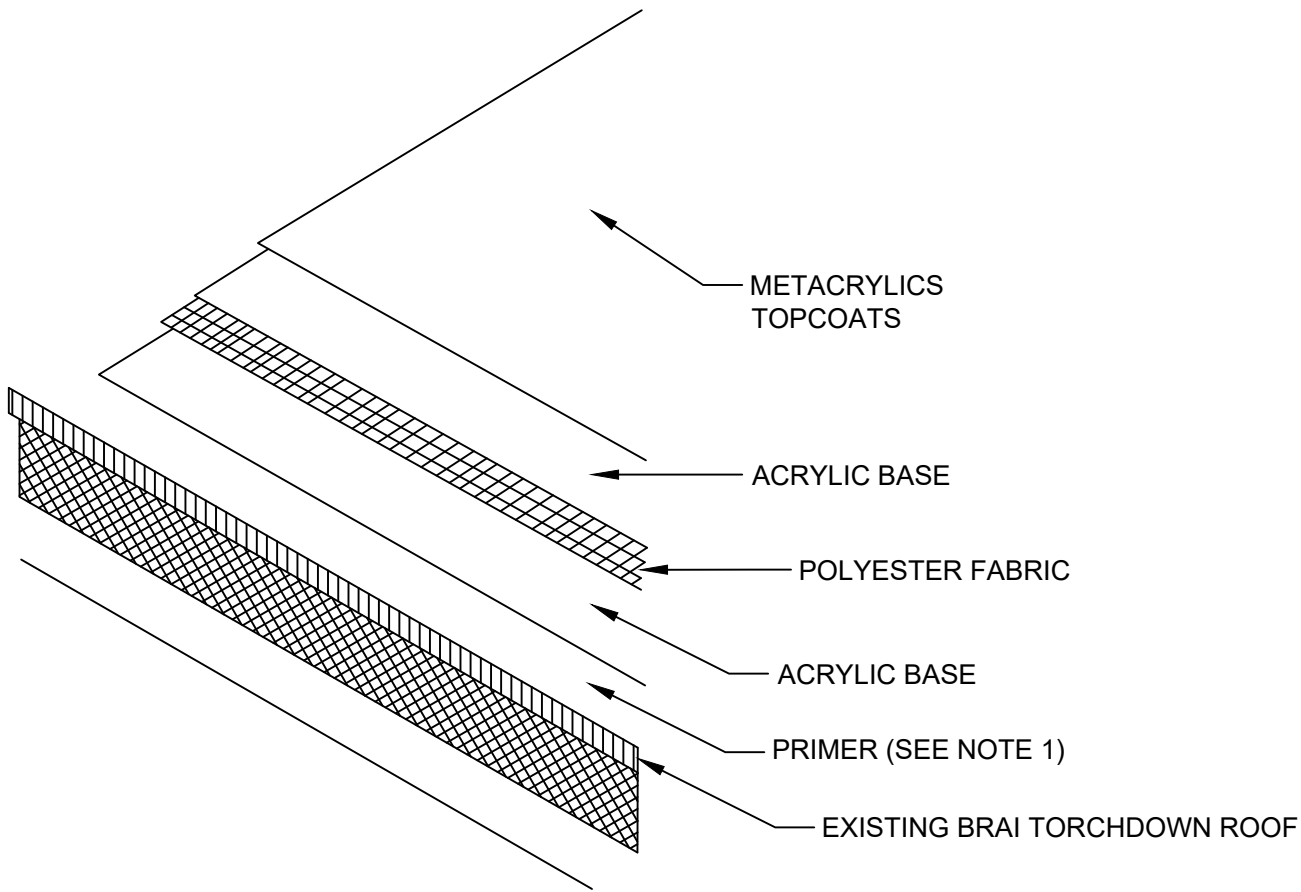
CHECKED BY:

SHEET:
A-01

**BUR CAPSHEET FULLY REINFORCED
ACRYLIC RESTORATION SYSTEM**

NOTES:

1. PRIMER IS NOT REQUIRED IF ACRYLIC CLEAR BASE IS USED AS THE ACRYLIC BASE TO APPLY POLYESTER FABRIC
2. ALL ROOF TOP PENETRATIONS, DRAINS, SCUPPERS, FLASHINGS, SKYLIGHTS, & PARAMETER EDGE METAL ARE TO BE SEALED AND REINFORCED BY 3-COURSING WITH METACRYLICS ACRYLIC GEL AND POLYESTER FABRIC.



ACRYLIC
REINFORCED
SYSTEMS

BRAI TORCHDOWN FULLY REINFORCED
ACRYLIC RESTORATION SYSTEM

NOTES:

1. PRIMER IS NOT REQUIRED IF ACRYLIC CLEAR BASE IS USED AS THE ACRYLIC BASE TO APPLY POLYESTER FABRIC
2. ALL ROOF TOP PENETRATIONS, DRAINS, SCUPPERS, FLASHINGS, SKYLIGHTS, & PARAMETER EDGE METAL ARE TO BE SEALED AND REINFORCED BY 3-COURSING WITH METACRYLICS ACRYLIC GEL AND POLYESTER FABRIC.

SEAL:

REV:

JOB NUMBER:

SCALE:

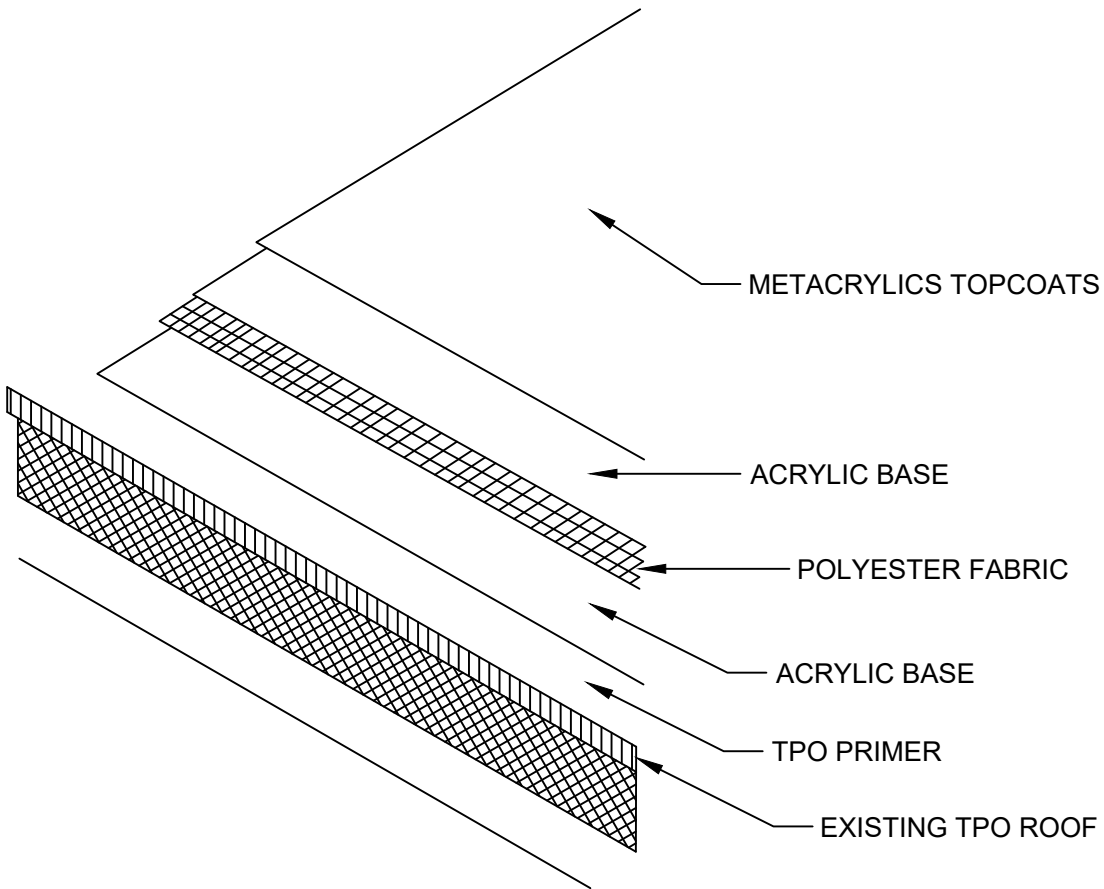
DATE: 09-25-17

DRAWN BY:
DHALSELL

CHECKED BY:

SHEET:

A-02



**ACRYLIC
REINFORCED
SYSTEMS**

SEAL:

REV:

JOB NUMBER:

SCALE:

DATE: 09-25-17

DRAWN BY: DHALSELL

CHECKED BY:

SHEET:
A-03

**TPO FULLY REINFORCED ACRYLIC
RESTORATION SYSTEM**

NOTES:

1. ALL ROOF TOP PENETRATIONS, DRAINS, SCUPPERS, FLASHINGS, SKYLIGHTS, & PARAMETER EDGE METAL ARE TO BE SEALED AND REINFORCED BY 3-COURSING WITH METACRYLICS ACRYLIC GEL AND POLYESTER FABRIC.

ACRYLIC
REINFORCED
SYSTEMS

SEAL:

REV:

JOB NUMBER:

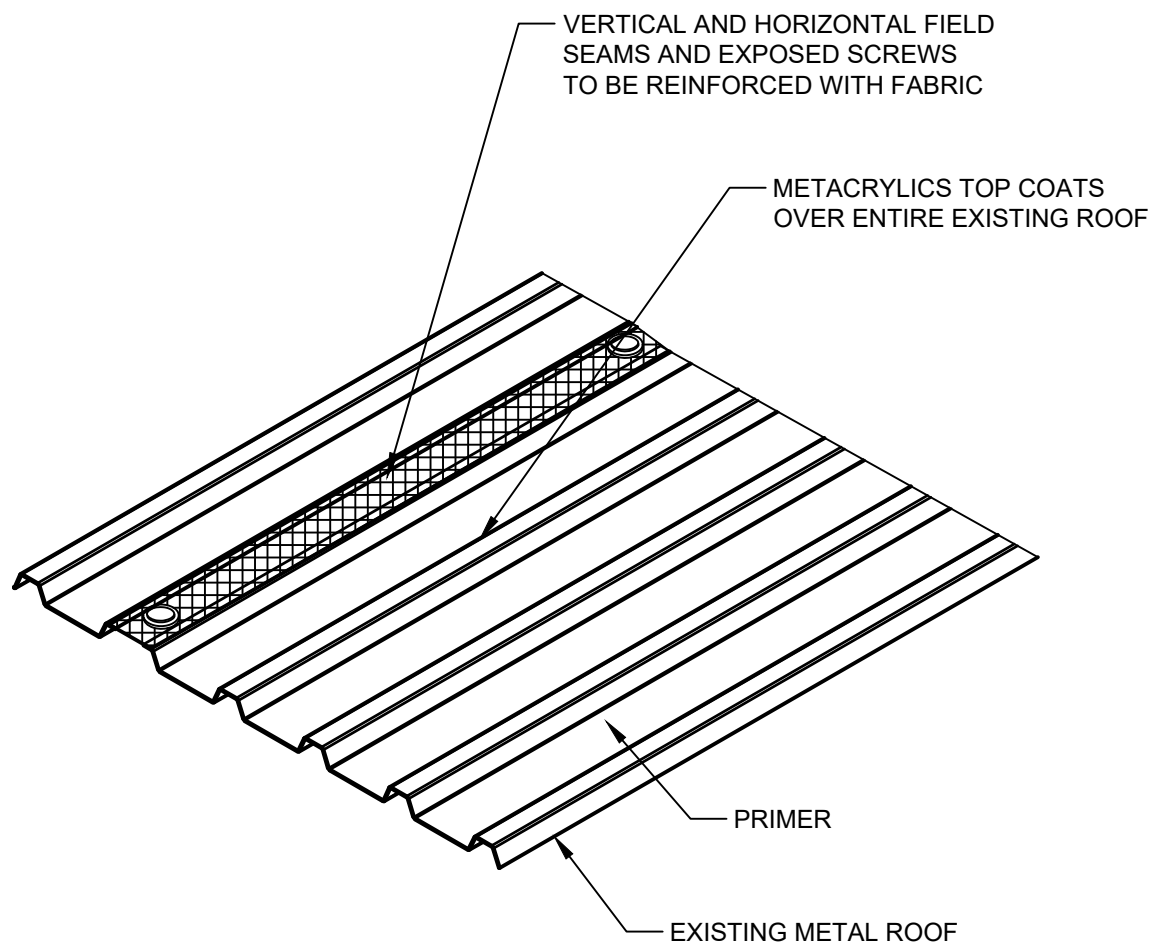
SCALE:

DATE: 09-25-17

DRAWN BY:
DHALSELL

CHECKED BY:

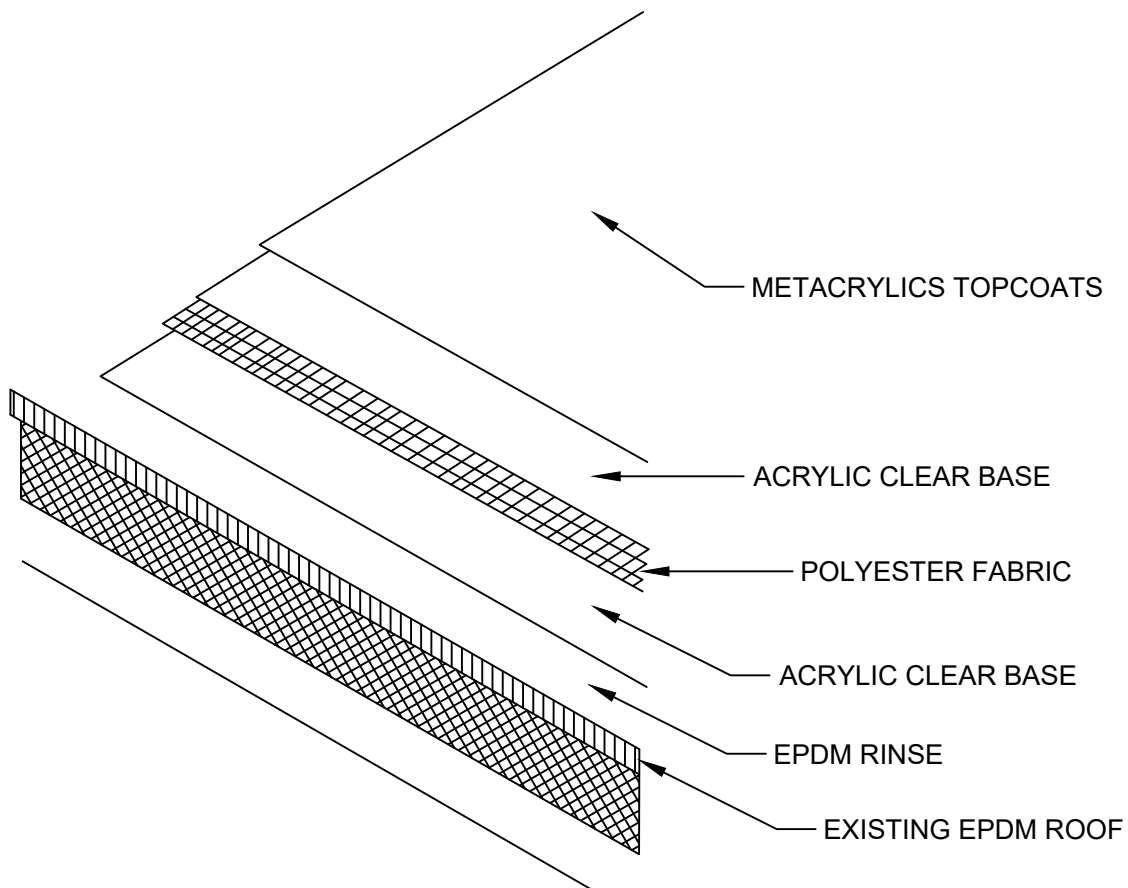
SHEET:
A-04



METAL ACRYLIC
RESTORATION SYSTEM

NOTES:

1. ALL ROOF TOP PENETRATIONS, DRAINS, SCUPPERS, FLASHINGS, VALLEYS, RIDGES, SKYLIGHTS, & PARAMETER EDGE METAL ARE TO BE SEALED AND REINFORCED BY 3-COURSE WITH METACRYLICS ACRYLIC GEL AND POLYESTER FABRIC.



**ACRYLIC
REINFORCED
SYSTEMS**

SEAL:

REV:

JOB NUMBER:

SCALE:

DATE: 09-25-17

DRAWN BY: DHALSELL

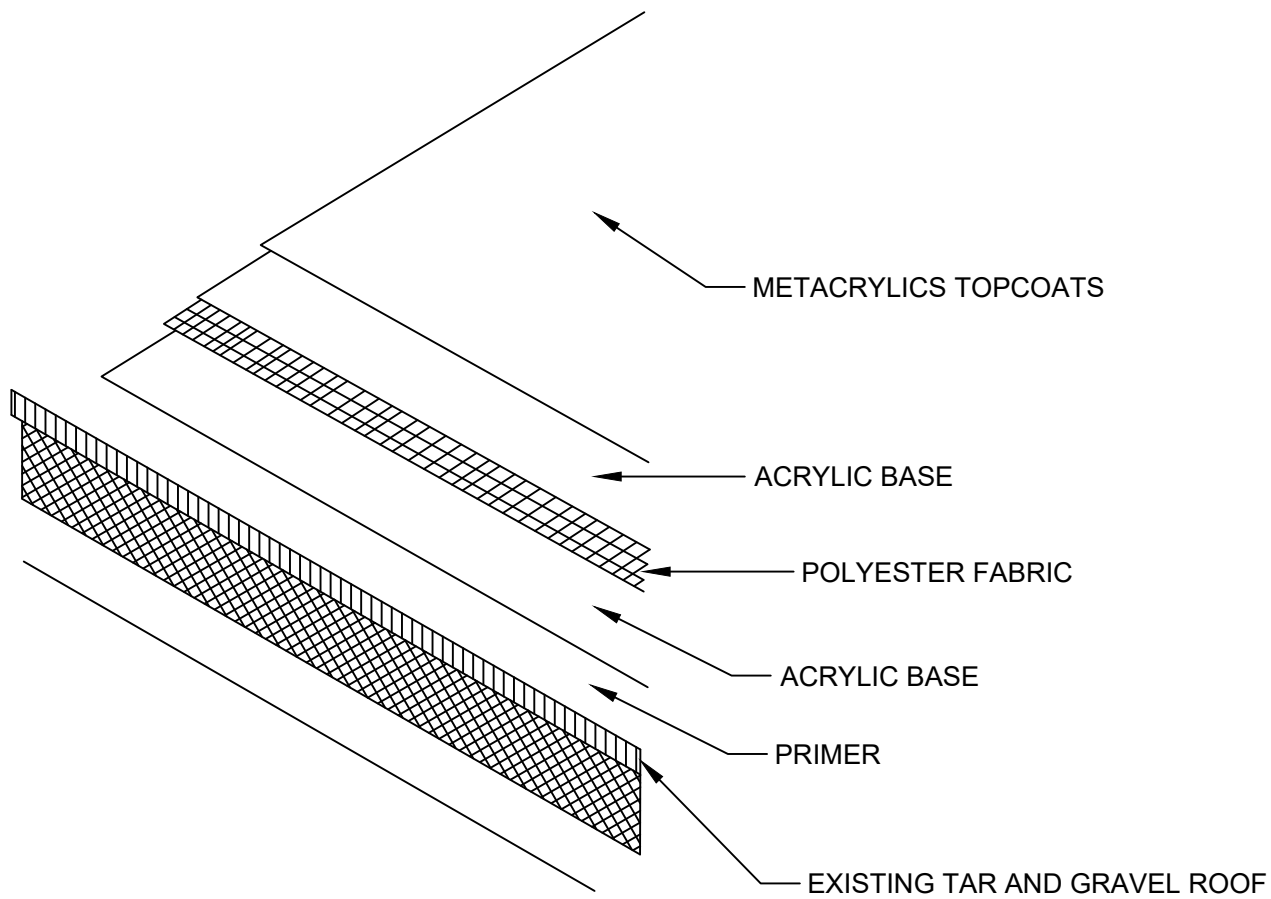
CHECKED BY:

SHEET:
A-05

**EPDM FULLY REINFORCED ACRYLIC
RESTORATION SYSTEM**

NOTES:

1. ALL ROOF TOP PENETRATIONS, DRAINS, SCUPPERS, FLASHINGS, SKYLIGHTS, & PARAMETER EDGE METAL ARE TO BE SEALED AND REINFORCED BY 3-COURSING WITH METACRYLICS ACRYLIC GEL AND POLYESTER FABRIC.



ACRYLIC REINFORCED SYSTEMS

SEAL:

REV:

JOB NUMBER:

SCALE:

DATE: 09-25-17

DRAWN BY: DHALSELL

CHECKED BY:

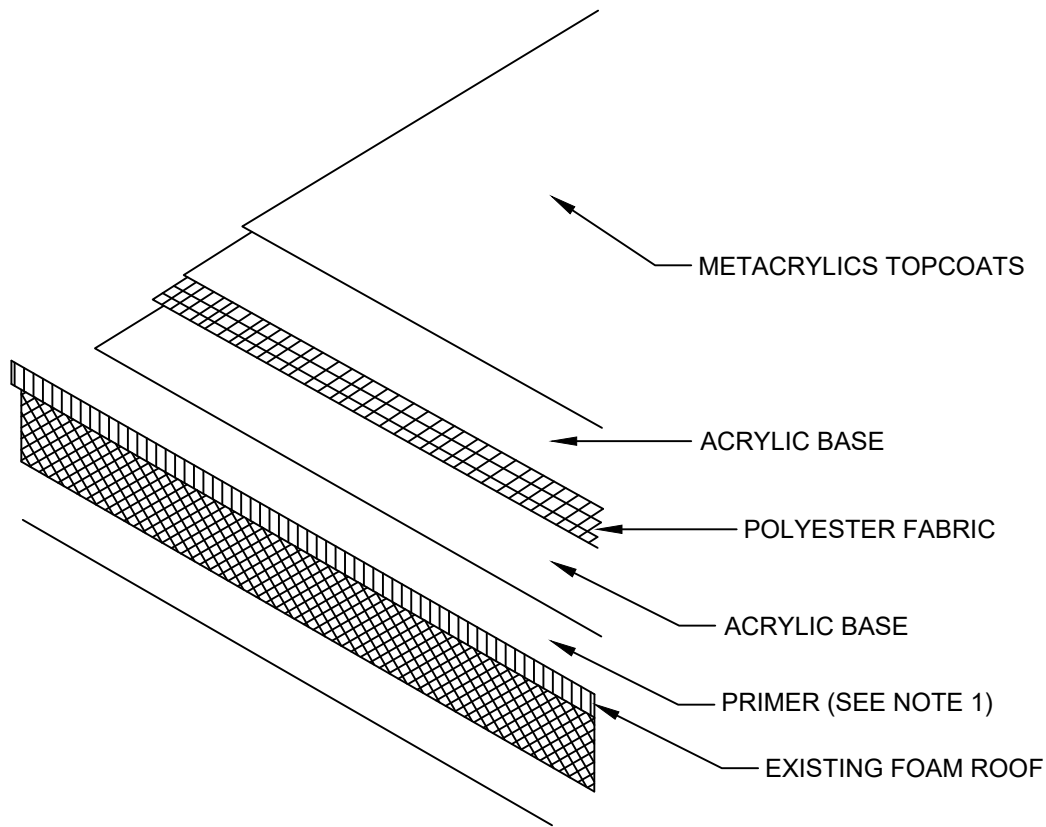
SHEET:

A-06

TAR AND GRAVEL FULLY REINFORCED ACRYLIC RESTORATION SYSTEM

NOTES:

1. REMOVE ALL LOOSE ROCK DOWN TO THE AGGREGATE
2. SPUD ROOF IF NECESSARY TO SMOOTH OUT EXISTING ROOF SYSTEM
3. ALL ROOF TOP PENETRATIONS, DRAINS, SCUPPERS, FLASHINGS, SKYLIGHTS, & PARAMETER EDGE METAL ARE TO BE SEALED AND REINFORCED BY 3-COURSING WITH METACRYLICS ACRYLIC GEL AND POLYESTER FABRIC.



ACRYLIC REINFORCED SYSTEMS

SEAL:

REV:

JOB NUMBER:

SCALE:

DATE: 09-25-17

DRAWN BY: DHALSELL

CHECKED BY:

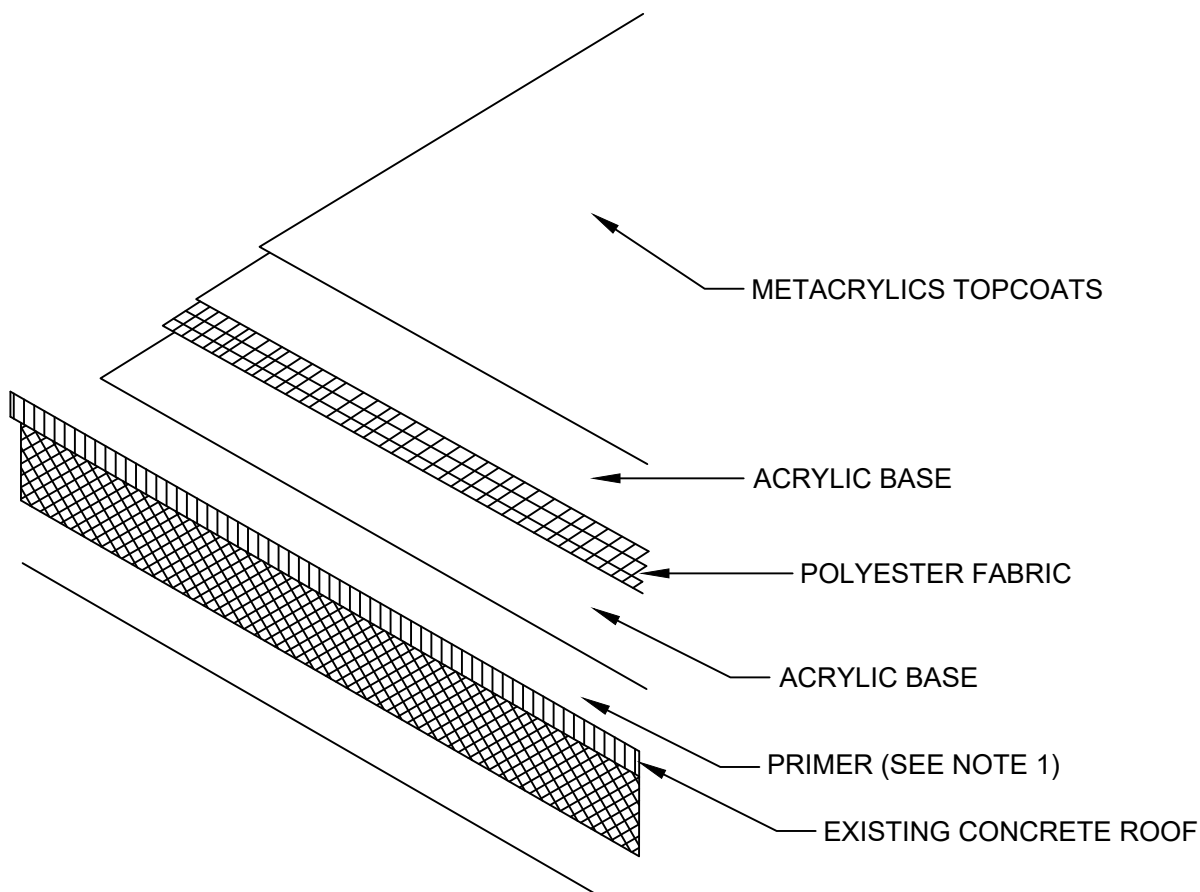
SHEET:

A-07

FOAM FULLY REINFORCED ACRYLIC RESTORATION SYSTEM

NOTES:

1. PRIMER IS NOT REQUIRED IF ACRYLIC CLEAR BASE IS USED AS THE ACRYLIC BASE TO APPLY POLYESTER FABRIC
2. ALL ROOF TOP PENETRATIONS, DRAINS, SCUPPERS, FLASHINGS, SKYLIGHTS, & PARAMETER EDGE METAL ARE TO BE SEALED AND REINFORCED BY 3-COURSING WITH METACRYLICS ACRYLIC GEL AND POLYESTER FABRIC.



**ACRYLIC
REINFORCED
SYSTEMS**

SEAL:

REV:

JOB NUMBER:

SCALE:

DATE: 09-25-17

DRAWN BY:
DHALSELL

CHECKED BY:

SHEET:
A-08

CONCRETE FULLY REINFORCED ACRYLIC RESTORATION SYSTEM

NOTES:

1. PRIMER IS NOT REQUIRED IF ACRYLIC CLEAR BASE IS USED AS ACRYLIC BASE TO APPLY POLYESTER FABRIC.
2. ALL ROOF TOP PENETRATIONS, DRAINS, SCUPPERS, FLASHINGS, SKYLIGHTS, EXPANSION JOINTS, HORIZONTAL/VERTICAL TRANSITIONS & PARAMETER EDGE METAL ARE TO BE SEALED AND REINFORCED BY 3-COURSing WITH METACRYLICS ACRYLIC GEL AND POLYESTER FABRIC.